

# SHREYANS IMPORTS AND EXPORTS



Address: Plot 6/2, Shed No 6, Sumukh Ind Estate, Phase 1, Opposite Kiran Industries, GIDC, Vatva, Ahmedabad 382445, India  
 Cell: +91 90 999 89 276, +91 90 999 89 280 Web: www.shreyanswater.com



## Deluxe Handle Butterfly Valve

### ADVANTAGES:

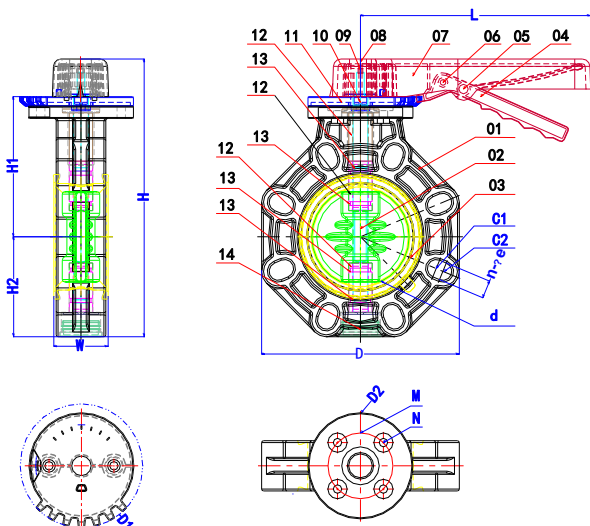
- 1) Excellent designs with stable performance
- 2) Thickened body & seal to extend the service life
- 3) Materials meet drinking water standard
- 4) 100% pure virgin material, CaCO<sub>3</sub> free (Chalk)
- 5) UV resistant powder added
- 6) Can be assembled with Pneumatic/Electric Actuators

### DESCRIPTION:

- 1) Material: UPVC, CPVC, PPH, PVDF
- 2) Size: 2" - 8" ; 63mm - 225mm ; DN50 - DN200
- 3) Standard: ANSI, DIN, JIS
- 4) Joint End: Flanges
- 5) Working Pressure: 150 PSI
- 6) Operating Temperature: UPVC(0-55°C); CPVC & PPH(0-95°C)
- 7) Valve body color : UPVC(dark gray), CPVC(light gray), PPH(light yellow)



### SPECIFICATIONS:



ITEM	PART	MATERIAL	QTY
1	BODY	UPVC / CPVC / PPH / PVDF	1
2	DISC	UPVC / CPVC / PPH / PVDF	1
3	SEAL	EPDM / VITON	1
4	HANDLE LEVEL	POM	1
5	LOCKING PIN	POM	1
6	SET PIN	SUS304 / 316	1
7	HANDLE	ABS	1
8	CAP	ABS	1
9	BOLT	SUS304 / 316	1
10	STEM WASHER	SUS304 / 316	1
11	ROTATING PAD	UPVC / CPVC / PPH / PVDF	1
12	SHAFT LINER	PP	3
13	ORING	EPDM / VITON	6
14	BOTTOM CAP	PP	1

Unit: MM

SIZE	d	C1	C2	H	H1	H2	W	D
2" (50)	52.00	120.00	125.00	175.00	108.00	67.00	48.00	136.00
2½" (65)	66.00	140.00	145.00	201.00	120.00	81.00	48.00	156.00
3" (80)	78.50	150.00	160.00	232.00	136.00	96.00	52.00	190.00
4" (100)	104.00	175.00	191.00	293.00	148.00	107.00	53.00	211.00
5" (125)	138.00	210.00	216.00	323.00	164.00	118.00	66.00	238.00
6" (150)	164.00	240.00	242.00	362.00	180.00	132.00	72.00	263.00
8" (200)	210.00	290.00	298.00	435.00	217.00	167.00	72.00	335.00

SIZE	D1	D2	M	N	L	n-e		operating torque (N-M)
						JIS	DIN/ANSI	
2" (50)	130.80	112.00	70.00	9.00	220.00	4-19		15
2½" (65)	130.80	112.00	70.00	9.00	231.00	4-19		18
3" (80)	130.80	112.00	70.00	9.00	231.00	8-19		20
4" (100)	130.80	112.00	70.00	9.00	231.00	8-19		30
5" (125)	130.80	112.00	70.00	9.00	280.00	8-23		33
6" (150)	155.00	136.00	102.00	11.00	280.00	8-23		48
8" (200)	155.00	136.00	102.00	12.00	280.00	12-23	8-23	80

**DESIGNS:**

- ① PP shaft liner to protect the SS stem for reliable performance
- ② Update the design with switching angle control, easy to remove rusty metal
- ③ Increase in pneumatic / electric operating platform to facilitate customer replacement screw hole
- ④ Valve designed with heavier weight, higher performance of force area to extend the service life
- ⑤ Sealing surface & through holes are processed by CNC machines, reliable sealing
- ⑥ Sleeves are specially covered on the top & bottom of stem, to protect from chemicals
- ⑦ Each 3 Orings are designed on the top & bottom of stem, sealing performance is improved.
- ⑧ The disc is processed by CNC machines with reliable performance
- ⑨ The seal is specially thickened, to enhance sealing performance.
- ⑩ The grip change to POM material, to eliminate the possibility of old rust and easy to operate

