

### ❖ New Compact Ball Valve



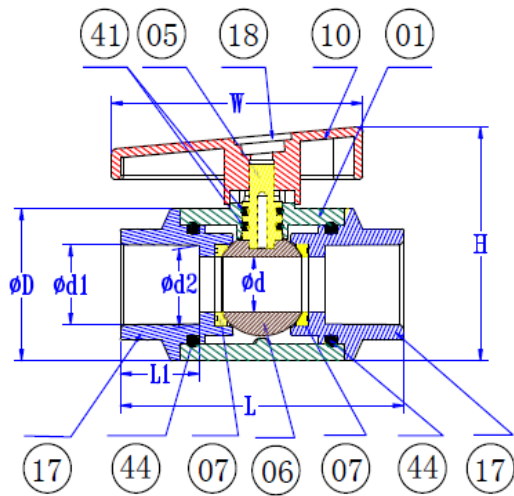
### ADVANTAGES:

- ✓ Enhanced hermeticity
- ✓ Smooth opening and closing thanks to a lower torque
- ✓ Replaceable ergonomic handle
- ✓ 100% pure virgin material, CaCO<sub>3</sub> free (Chalk)
- ✓ UV resistant powder added
- ✓ 100% pressure testing before leaving the factory
- ✓ Easy differentiation from fake SANKING Ball Valves and poor quality imitations

### DESCRIPTION:

- ✓ Material: UPVC, CPVC, HT-CPVC
- ✓ Size: 1/2" - 4"; 20mm - 110mm ; DN15 - DN100
- ✓ Joint End: Socket, Threaded NPT, BSPF and PT
- ✓ Standard: ANSI, DIN, JIS, CNS
- ✓ Working Pressure: 150 PSI
- ✓ Operating Temperature: UPVC(0~55°C); CPVC & HT-CPVC(0~95°C)
- ✓ Handle color : red, blue
- ✓ Valve body color: UPVC (dark gray/white), CPVC (light gray), HT-CPVC (light yellow)

### SPECIFICATIONS:

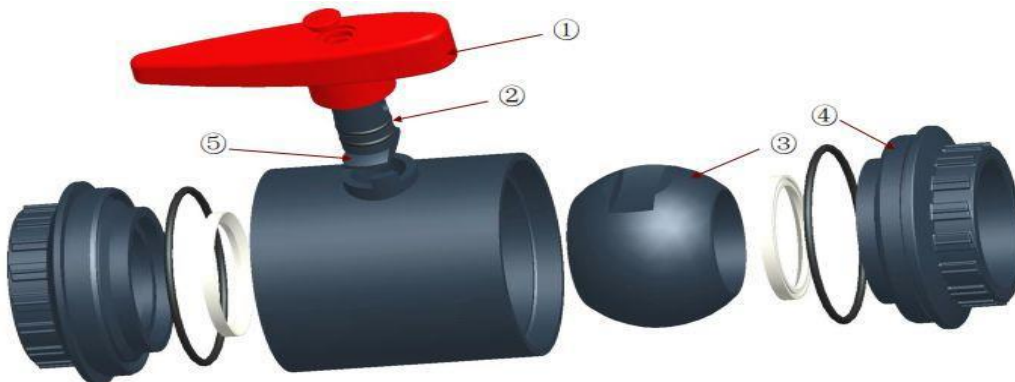


ITEM	PART	MATERIAL	QTY
01	BODY	UPVC / CPVC / HT-CPVC	1
05	STEM	UPVC / CPVC / HT-CPVC	1
06	BALL	UPVC / CPVC / HT-CPVC	1
07	SEAT	TPV / PTFE	2
10	HANDLE	ABS	1
17	UNION END	UPVC / CPVC / HT-CPVC	2
18	CAP	ABS	1
41	O-RING	EPDM	2
44	O-RING	EPDM	2

UNIT: MM

SIZE	d	D1				d2				D	L	L1	H	W	operating torque (N·M)
		ANSI	DIN	JIS	CNS	ANSI	DIN	JIS	CNS						
1/2"(15)	15	21.54	20.30	22.30	22.40	21.23	20.10	21.78	21.90	41.00	79.00	22.00	63.00	70.00	2.00
3/4"(20)	20	26.87	25.30	26.30	26.40	26.57	24.10	25.70	25.90	49.20	106.40	31.50	75.00	80.00	2.50
1"(25)	25	33.65	32.30	32.33	34.50	33.27	32.10	31.67	33.90	56.00	116.00	35.00	85.00	90.00	4.00
1¼"(32)	32	42.42	40.30	38.43	42.50	42.04	40.10	37.57	41.90	65.50	125.70	35.00	100.50	100.00	4.50
1½"(40)	40	48.56	50.30	48.46	48.60	48.11	50.10	47.54	47.90	78.00	136.50	37.00	120.00	130.00	6.00
2"(50)	50	60.63	63.30	60.56	60.60	60.17	60.10	59.44	59.90	95.00	149.30	38.00	135.50	130.00	6.50
2½"(65)	65	73.38	75.30	76.60	76.70	72.85	75.10	75.87	75.90	119.00	197.50	53.00	158.80	150.00	8.00
3"(80)	75	89.31	90.30	89.60	89.70	88.70	90.10	88.83	88.90	135.0	207.60	51.00	191.00	200.00	12.00
4"(100)	97	114.76	110.40	114.70	115.00	114.10	110.10	114.00	113.80	174.00	254.00	60.00	237.00	260.00	16.00

### DESIGNS:



- ❖ New design more beautiful than the old handle, and difficult to break
- ❖ O-ring is increased from one to two, sealing more reliable
- ❖ Ball is milled and polished via CNC machine to enhance its roundness for low-torque and high sealing
- ❖ Based on market feedback, the buckle design is changed to rotary melting, body impact strength is increased
- ❖ The bottom of stem is designed with arc-shape, easily in conjunction with the ball of low-torque